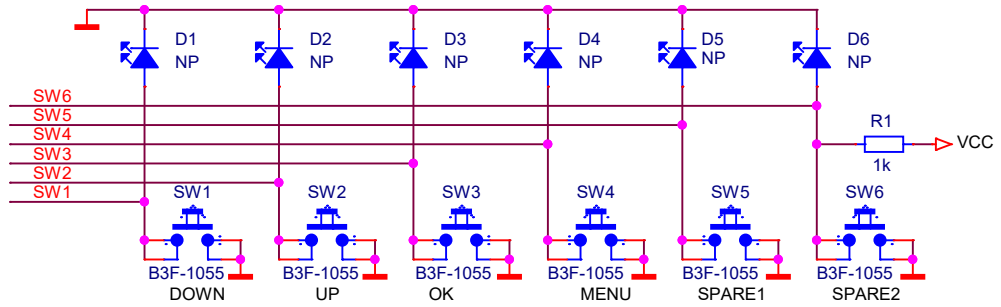
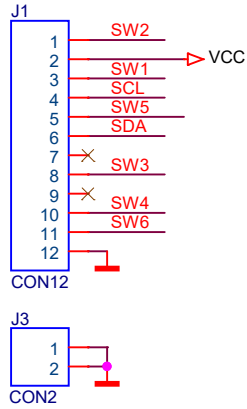
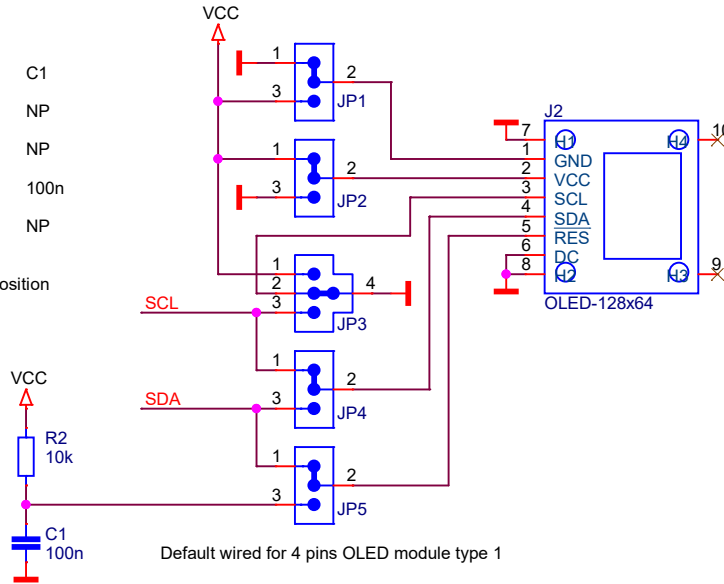


PLL-AM-SAM4-LITE GUI V4.1 (7 July 2016)

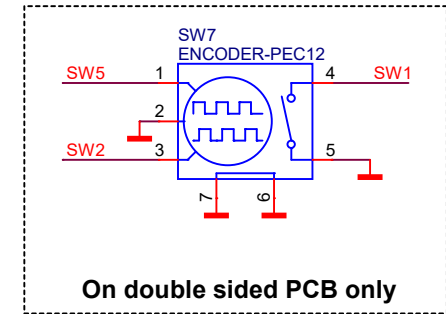


OLED module	JP1	JP2	JP3	JP4	JP5	R2	C1
4-pin type 1	1-2	1-2	2-4	1-2	1-2	NP	NP
4-pin type 2	1-2	2-3	1-2	1-2	1-2	NP	NP
6-pin type 1	1-2	1-2	2-3	2-3	2-3	10k	100n
6-pin type 2	2-3	2-3	2-3	2-3	2-3	0R	NP

Cut default traces and place zero ohm (0R) resistor on right position



Default wired for 4 pins OLED module type 1



On double sided PCB only